

XLYK

LINEAR SERIES

A series of linear downlight luminaires with a slimmer width ranging from just 25mm to 44mm in variations with trim, trimless or tilt. Sleek as it is pronounced, Xlyk linear downlights are designed with deep optics and reflector for excellent glare control to provide comfortable illumination.



Fixture Features



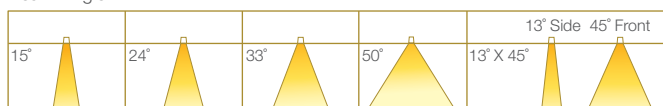
IP54

Module Colour Temperature Variation



ProART

Beam Angle



Driver Dimming Variation



(ND)



(PH)



(AN)



(DA)

XLYK 3

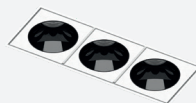
6W SLIM LINEAR RECESSED DOWNLIGHT



#FIX
#TRIM



#TILT
#TRIM



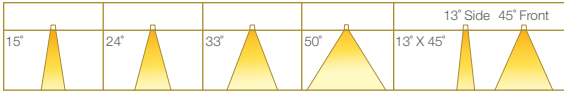






#FIX
#TRIMLESS

TECHNOLOGY AND FEATURES




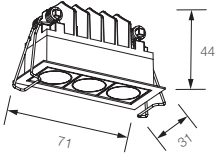

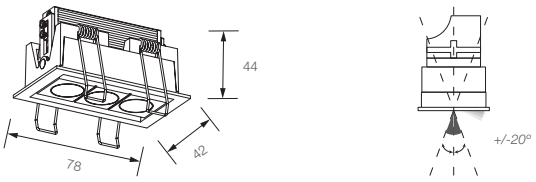

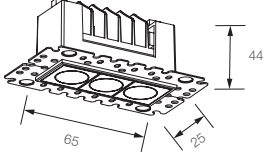
Low Flicker,
No Risk
(IEEE 1789)

AVAILABLE OPTIONS

FIXTURE COLOUR OPTIONS	Trim Colour Options	Reflector Colour Options			
	MATT WHITE RAL9003 MATT BLACK RAL9011	MATT WHITE RAL9003	MATT BLACK RAL9011	CHROME	CHROME BLACK
LED MODULE	SINGLE CCT				
	 				
DRIVER DIMMING	   				
	(ND) (PH) (AN) (DA)				

XLYK 3

DIMENSIONS (MM)

XLYK 3 TRIM	 <p>64 x 25 cutout</p>		(FIX)
	 <p>68 x 28 cutout</p>		(TILT)
XLYK 3 TRIMLESS	 <p>72 x 38 cutout</p>		(FIX)

XLYK 3

SPECIFICATIONS

FIXTURE	
Family Type	Xlyk series
Fixture Colours	Matt white, matt black
Reflector Colours	Matt white, matt black, chrome and chrome black
Materials	Aluminium, plastic
Ingress Protection	IP54 for fix version, IP40 for tilt version
Weight	120g
LED MODULE & DRIVER	
Family Type	Built-in LED module (non-modular)
Typical Operating Voltage	9V
Typical Operating Current	700mA
System / Input Power	7W
Lifetime	50,000 hours (80% lumen maintenance at Ta = 25°C), B10

Beam Angles	15°, 24°, 33°, 50°, 13°x45°
Colour Temperatures	2700K, 3000K, 3500K, 4000K, 5000K
CRI	ProART (CRI~95)
SDCM	3 step MacAdam ellipse binning
Dimming	Non-dim, phase (leading & trailing edge), 0-10V, DALI
Mains Connection	Push-pin or screw terminals for convenient connection
Mains Voltage	220-240V, 50Hz
Power Factor	>0.9
Fire Safety	Glow wire test 850°C, UL94V-0, VW-1
Flammability Mark	F
Safety Class	Class 2
Standards	IEC 60598-1, IEC 61347-2-13
Regulatory Markings	CE, CB, CCC, RCM, BIS, RoHS

PHOTOMETRICS

XLYK 3

Height (m)		Emax (lx)					XLYK 3			Luminous Flux (lm)
		15°	24°	33°	50°	13° x 45°	LED Power	System Power	CRI	3000K
1	E(0°)	3877	2235	1281	679	1239	6W	7W	ProART CRI~95	15°, 24°, 33°, 50°, 13° x 45°
	Cone Ø 0° (m)	0.24	0.41	0.58	0.86	0.24				
	Cone Ø 90° (m)	0.30	0.41	0.58	0.95	0.86				
2	E(0°)	969	559	320	170	310	6W	7W	ProART CRI~95	459
	Cone Ø 0° (m)	0.48	0.82	1.15	1.71	0.48				
	Cone Ø 90° (m)	0.60	0.83	1.15	1.89	1.71				
3	E(0°)	431	248	142	75	138	6W	7W	ProART CRI~95	459
	Cone Ø 0° (m)	0.73	1.23	1.73	2.57	0.72				
	Cone Ø 90° (m)	0.90	1.24	1.73	2.84	2.57				
4	E(0°)	242	140	80	42	77	6W	7W	ProART CRI~95	459
	Cone Ø 0° (m)	0.97	1.64	2.31	3.43	0.95				
	Cone Ø 90° (m)	1.20	1.66	2.31	3.78	3.43				
5	E(0°)	155	89	51	27	50	6W	7W	ProART CRI~95	459
	Cone Ø 0° (m)	1.21	2.05	2.89	4.29	1.19				
	Cone Ø 90° (m)	1.49	2.07	2.89	4.73	4.29				

Data are based on maximum output at highest CCT (6000K).
2700K will have a nominal data value of 10% lower than published.
Nominal CRI~95, equals to Ra>90~97, R9>50

XLYK 3

ORDERING MATRIX CHART

Fixture					LED Module						Driver										
Type	Trim Options		Angle		Colour		Reflector Colour		LED Power		Beam Angle		Colour Temp		CRI		Dimming				
XLYK-3	T	Trim	FX	Fix	WH	Matt White	WH	Matt White	6	6W	15	15°	27	2700K	PA	ProART	ND	Non-Dim			
				Tilt		Matt Black		MB			Matt Black	24		24°				30	3000K	PH	Phase
			TL	Tilt	MB	Matt Black	MB	Matt Black			33	33°	35	3500K				AN	0-10V		
											50	50°		40					4000K	DA	DALI
											50	50°	40	4000K							
											13x45	13°x45°	50	5000K							

example: XLYK-3.FX.WH.CB.6.15.30.PA.ND

Fixture					LED Module						Driver										
Type	Trim Options		Angle		Colour		Reflector Colour		LED Power		Beam Angle		Colour Temp		CRI		Dimming				
XLYK-3	X	Trimless	FX	Fix	WH	Matt White	WH	Matt White	6	6W	15	15°	27	2700K	PA	ProART	ND	Non-Dim			
						Matt Black		MB			Matt Black	24		24°				30	3000K	PH	Phase
					MB	Matt Black	MB	Matt Black			33	33°	35	3500K				AN	0-10V		
											50	50°		40					4000K	DA	DALI
											50	50°	40	4000K							
											13x45	13°x45°	50	5000K							

example: XLYK-3.X.FX.WH.CB.6.15.30.PA.ND